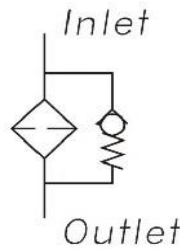
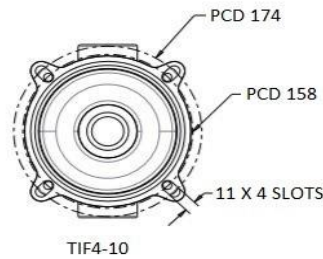
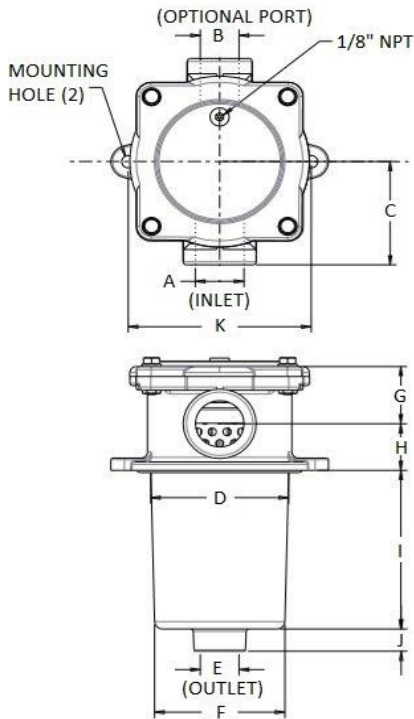
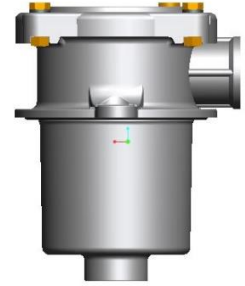


TANK IMMERSED RETURN LINE FILTER

FEATURES

- Direct tank mounting or in-line
- 3 sizes with flows to 175 LPM
- Aluminum alloy construction
- Max. pressure 10 bar, tested pressure 20 bar & burst pressure 25 bar
- 1 bar by-pass standard
- Elements replaceable through cover
- Suitable for mineral and petroleum-based oils



MODEL	PORT 'A' BSPP	PORT 'B' BSPP	C	D TANK CUTOUT	PORT 'E' BSPP	F	G	H	I	J	K PCD	ELEMENT FILTRATION MICRONS
TIF4-04	1/2"	-	51	64	1/2"	61.50	29	22	61.50	14.50	90	P10-10μ P25-25μ-STD.
TIF4-06	3/4"	-	69	86	3/4"	82	33.50	25	76	14.50	114	P10-10μ P25-25μ-STD.
TIF4-08	1"	-	68	86	3/4"	81.50	37.50	31	104	14.50	114	P10-10μ P25-25μ-STD.
TIF4-06/08	1"	3/4"	68	86	3/4"	81.50	37.50	31	104	14.50	114	P10-10μ P25-25μ-STD.
TIF4-10	1-1/4"	1-1/4"	88	129	1-1/4"	122	54	43	215	19.50	158 174	P10-10μ P25-25μ-STD.

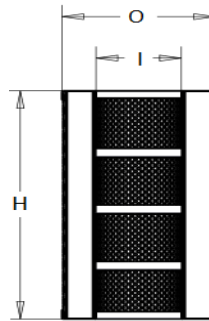
TANK IMMERSED RETURN LINE FILTER

TIF4	-PORT 'A' (STD)	-PORT 'B' (OPTIONAL)	-PORT 'E' (STD)	-ELEMENTS	-FEATURE
SERIES	THREAD SIZE	THREAD SIZE	THREAD SIZE	FILTRATION μ MICRONS	
4-ALUMINIUM CAST	04 B -1/2" BSPP 04 N -1/2" NPT	-	04 B -1/2" BSPP 04 N -1/2" NPT	P10 - 10μ P-25 - 25μ	R1-15 PSI BYPASS STD.
	06 B -3/4" BSPP 06 N -3/4" NPT	-	06 B -3/4" BSPP 06 N -3/4" NPT	M149 - 149μ MESH M100 - 100μ MESH	
	08 B -1" BSPP 08 N -1" NPT	08 B -1" BSPP 08 N -1" NPT	08 B -1" BSPP 08 N -1" NPT	M074 - 074μ MESH M063 - 063μ MESH	R2-25 PSI BYPASS STD.
	10 B -1-1/4" BSPP 10 B -1-1/4" NPT	10 B -1-1/4" BSPP 10 B -1-1/4" NPT	10 B -1-1/4" BSPP 10 B -1-1/4" NPT		

INDICATORS: OPTIONAL (TO BE ORDERED SEPERATELY) **GR**-RETURN, **GS**-SUCTION

ELEMENT DETAILS:

MODEL	O ∅	I ∅	H	FILTRATION MICRONS
TIE4-04	52	25.50	72	P10-10μ P25-25μ-STD.
TIE4-06	66	30.50	85	P10-10μ P25-25μ-STD.
TIE4-08	66	30.50	130	P10-10μ P25-25μ-STD.
TIE4-10	100	40.50	245	P10-10μ P25-25μ-STD.

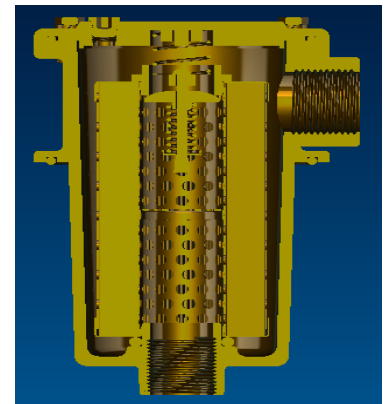


ORDERING CODE: SEALKIT

TIF4	-04	-SK
SERIES	SIZE	SEALKIT
TIF4	04	SK
	06	SK
	08	SK
	10	SK

ORDERING CODE: ELEMENT

TIE4	-04	-10	-FEATURE
SERIES	SIZE	FILTRATION μ MICRONS	
TIE4	04	P10 - 10μ P-25 - 25μ	R1-15 PSI BYPASS STD.
	06	M63 - 63μ MESH M100 - 100μ MESH	R2-25 PSI BYPASS STD.
	08	M149 - 149μ MESH M074 - 074μ MESH	
	10		



Consult Factory for Any Special Requirements

Note: all dimensions are in mm for reference