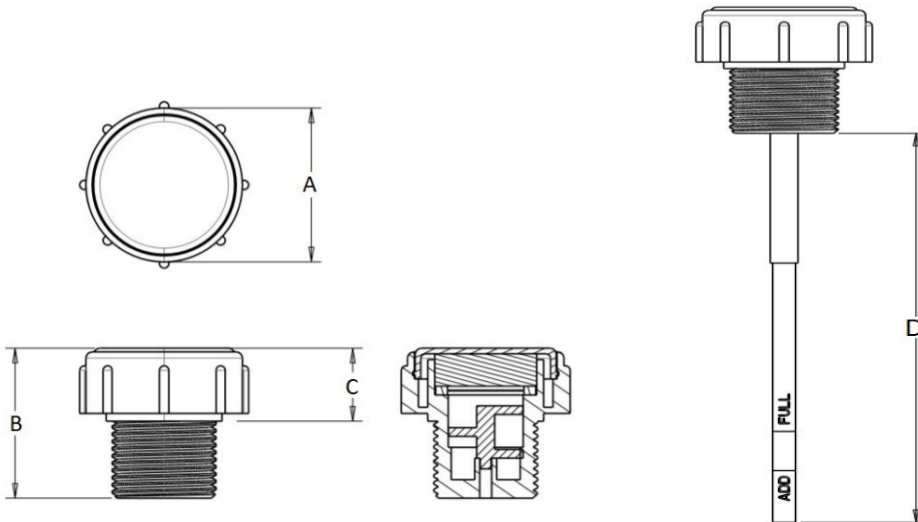


PAB-PLASTIC AIR BREATHER

FEATURES

- Compatible with petroleum and mineral based fluids
- 40 Micron Filtration
- ABS Plastic construction
- Dipstick optional



PART NO.	A	B	C	D	THREAD SIZE
PAB-03	35	32	17	DIPSTICK * 4" LENGTH DIPSTICK * 6" LENGTH DIPSTICK * 8" LENGTH	3/8" BSPP
PAB-04	40	38	18		1/2 "BSPP
PAB-06	45	38.50	18		3/4 "BSPP
PAB-08	50	47	22		1 "BSPP

ORDERING CODE: ASSEMBLY

PAB	-03	_**
SERIES	THREAD SIZE (INCH)	FEATURE
PAB	03-3/8" BSPP	DS4- DIPSTICK 4" LENGTH DS6-DIPSTICK 6" LENGTH DS8-DIPSTICK 8" LENGTH
	04-1/2" BSPP	
	06-3/4" BSPP	
	08-1" BSPP	

Note: Dimensions are in mm for reference

Please consult factory for optional threads / dip stick