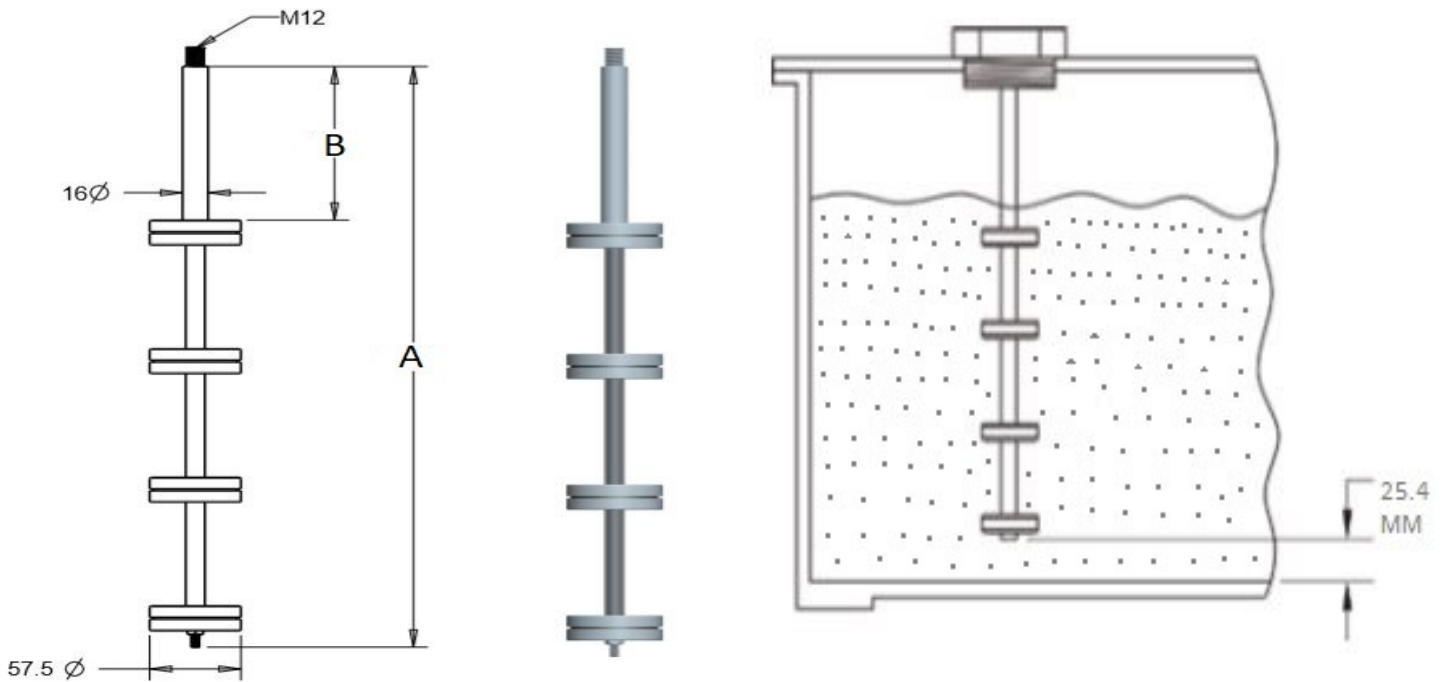


MAGNETIC TANK CLEANER

FEATURES

- Parts are fixed in tank, No moving
- Removes ferrous contaminants in tank
- Decrease wear on cylinders, piston, pumps, valves, etc.
- Easily removable without downtime or loss of oil
- Keeps oil cleaner
- Improved performance when used with diffuser



MODEL	A	B	MAGNET
MTC-12	305	70	3
MTC-18	460	125	4
MTC-21	535	200	4
MTC-24	610	275	4

ORDERING CODE: ASSEMBLY

MTC SERIES	-12 SIZE (INCHES)
MTC	12
	18
	21
	24

Note: All dimensions are in mm for reference.