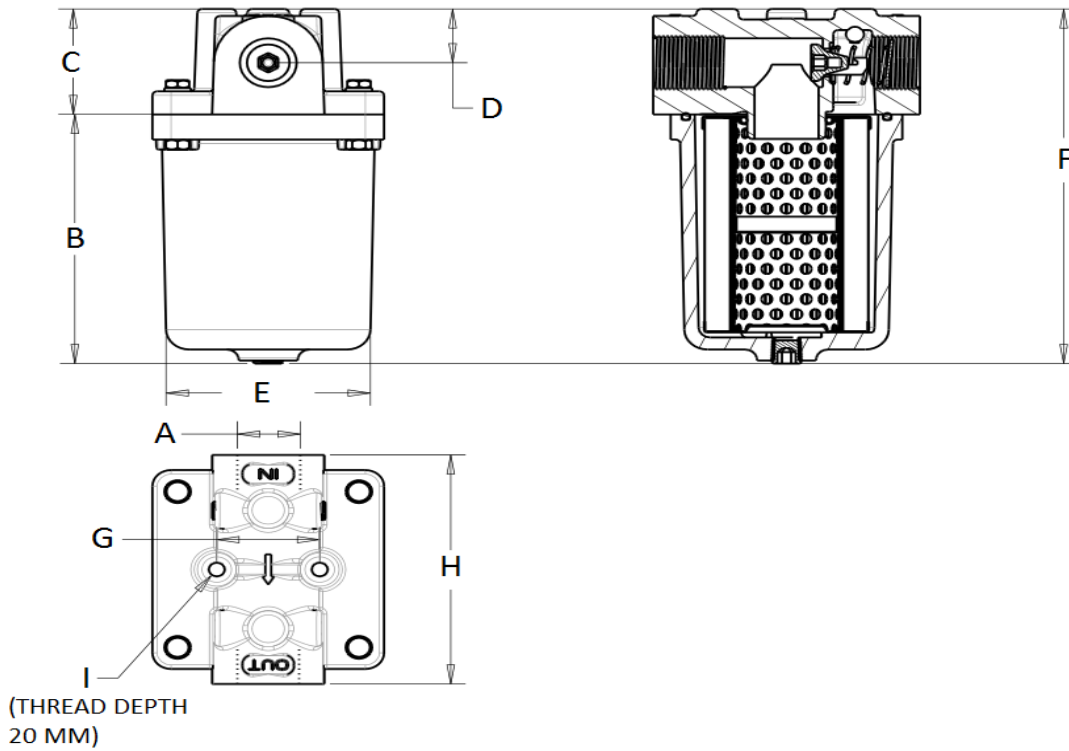


# INLINE FILTER –IFR

## FEATURES

- Aluminium Pressure Die cast construction structure.
- Suction And Return Line Type
- 3 Type Models Flows to 150LPM
- By Pass Standard 1 KG/CM2
- Cellulose Paper and Wire Mesh Filtration Media
- Working Pressure To 20 KG/CM2, Tested 30 KG/CM2 And Burst 40 KG/CM2
- Maximum Working Temperature 80°C



MODEL	PORT 'A' BSPP	B	C	D	E	F	G	H	I 2 OFF
IFR-05	1/2"	106	44.50	20	71	150.5	38	88.50	M8X1.25
IFR-10	3/4" 1"	122.50	52.50	27	88	175	44	114	M8X1.25
IFR-20	1-1/4" 1-1/2"	216	69.50	36	120	285.5	57	144.5	M10X1.5

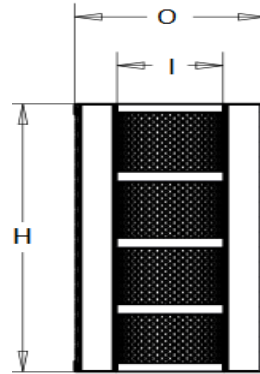
# INLINE FILTER – IFR

IF - R	-05	-04	-010	_**	_**
SERIES		PORT THREAD SIZE	FILTRATION μ MICRONS	FEATURE 1 BYPASS	FEATURE 2 POSITION INDICATOR PORTS
R-RETURN	05	04 B -1/2" BSPP	P10 - 10μ	R1-15PSI (STD)	R-STD 2X1/8"N (INLET 1&2)
		04 N -1/2" NPT	P-25 - 25μ	R2-25PSI	
S-SUCTION	10	06 B -3/4" BSPP	A-10 - 10 μ ABS	S1-3PSI (STD)	S-STD 2X1/8"N (OUTLET 1&2)
B-NO BYPASS		06 N -3/4" NPT	A-10 - 10 μ ABS	S2-5PSI	B-STD 4X1/8"N INLET & OUTLET (1,2,3 & 4)
	20	08 B -1" BSPP	M149 - 149μ MESH		
		08 N -1" NPT	M074 - 074μ MESH		
		10 B -1-1/4" BSPP			
		10 N -1-1/4" NPT			
		12 B -1-1/2" BSPP			
		12 N -1-1/2" NPT			

INDICATORS: OPTIONAL (TO BE ORDERED SEPERATELY) **GR**-RETURN, **GS**-SUCTION

### ELEMENT DETAILS:

MODEL	P/A O φ	M O φ	I φ	H
IFE-05	52	52	25	90
IFE-10	72	66	34	109
IFE-20	100	85	51	200



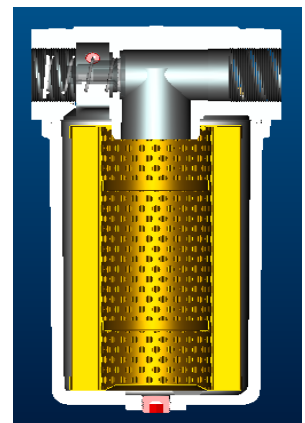
M-MESH ELEMENTS, P-PAPER, A-ABS

### ORDERING CODE: ELEMENT

IFE	-05	-010
SERIES	SIZE	FILTRATION μ MICRONS
IFE	05	P10 - 10μ
		P-25 - 25μ
	10	A-10 - 10 μ ABS
		A-10 - 10 μ ABS
	20	M149 - 149μ MESH
		M074 - 074μ MESH

### ORDERING CODE: SEALKIT

IFR	-05	-SK
SERIES	SIZE	SEALKIT
IFR	05	SK
	10	SK
	20	SK



Consult Factory for Any Special Requirements

Note: all dimensions are in mm for reference