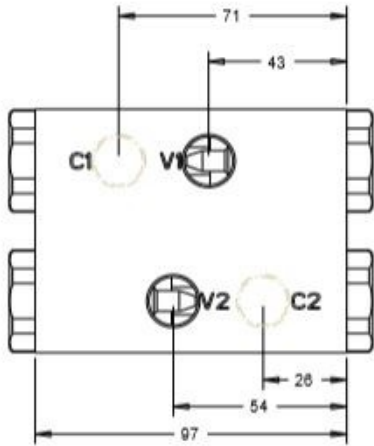


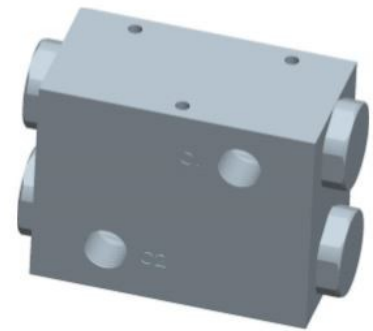
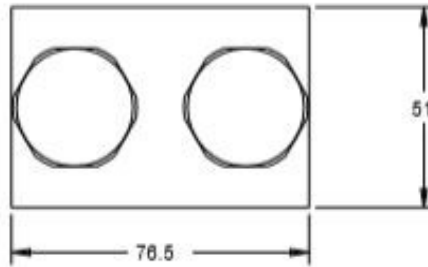
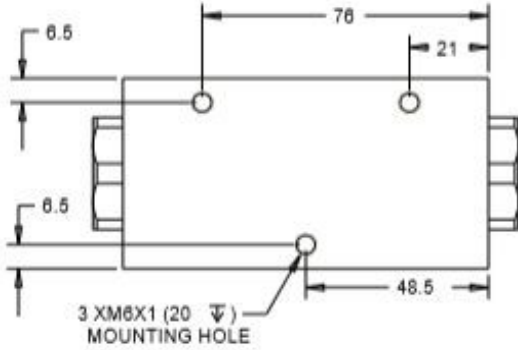
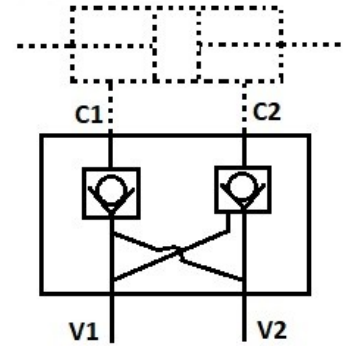
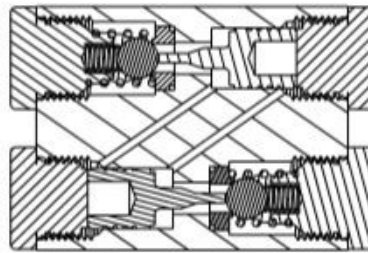
DOUBLE-CHECK VALVE (DCV)

FEATURES

- Maximum flow 30 liter per minute
- Maximum operating pressure 200 bar
- Pilot position ratio 1:4
- Aluminum body construction and steel seat/ball
- Maximum operating temperature 80°C



V1/V2-VALVE PORT
C1/C2-CYLINDER PORT



ISOMETRIC VIEW

DOUBLE CHECK VALVE -03-B

MODEL	PORT SIZE	PORT THREAD
DCV	03-3/8"	BSPP-STD

ORDERING CODE: ASSEMBLY

DCV	-03	-B
SERIES	PORT SIZE	PORT THREAD
DCV	03-3/8"	BSPP-STD

Note: All dimensions are in mm for reference