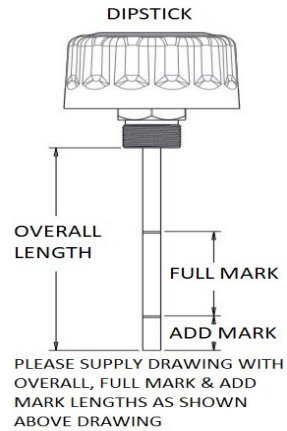
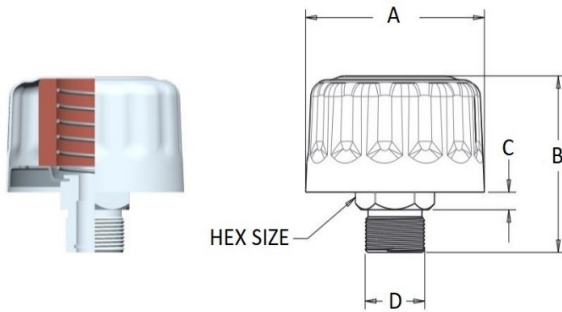


# BREATHER-THREADED STYLE

## FEATURES

- Maximum Air flow 25 CFM (720 LPM)
- Chrome plated steel cap
- Compatible for petroleum and mineral based fluids
- Filtration standard 40 microns / 10 microns optional
- Dipstick optional



MODEL	MICRON RATING	DISPLACEMENT		A	B	C	D STD.	HEX SIZE	FEATURE OPTIONAL
		LPM	CFM						
BTS-05/03	40	150	05	46	62	9	¼" BSP	25	B-BLACK POWDER COATED CAP
	10	90	03	46	62	9	¼" BSP	25	
	40	150	05	46	62	9	½" BSP	25	
	10	90	03	46	62	9	½" BSP	25	
BTS-25/14	40	730	25	78	72	10	¾" BSP	30	
	10	400	14	78	72	10	¾" BSP	30	
	40	730	25	78	72	10	1" BSP	30	
	10	400	14	78	72	10	1" BSP	30	

## ORDERING CODE: ASSEMBLY

BTS	-25	-40	-**	-**	-**
SERIES	CAPACITY CFM	FILTRATION μ MICRONS	FEATURE-1 THREADS	FEATURE-2 DIP STICK	FEATURE-3
BTS	03 (90LPM)	10	1/4" BSP 1/2" BSP	DS-DIPSTICK	B-BLACK POWDER COATED CAP
	05 (150LPM)	40	1/4" BSP 1/2" BSP		
	14 (400 LPM)	10	3/4" BSP 1" BSP		
	25 (730 LPM)	40	3/4" BSP 1" BSP		

Note: All dimensions are in mm for reference