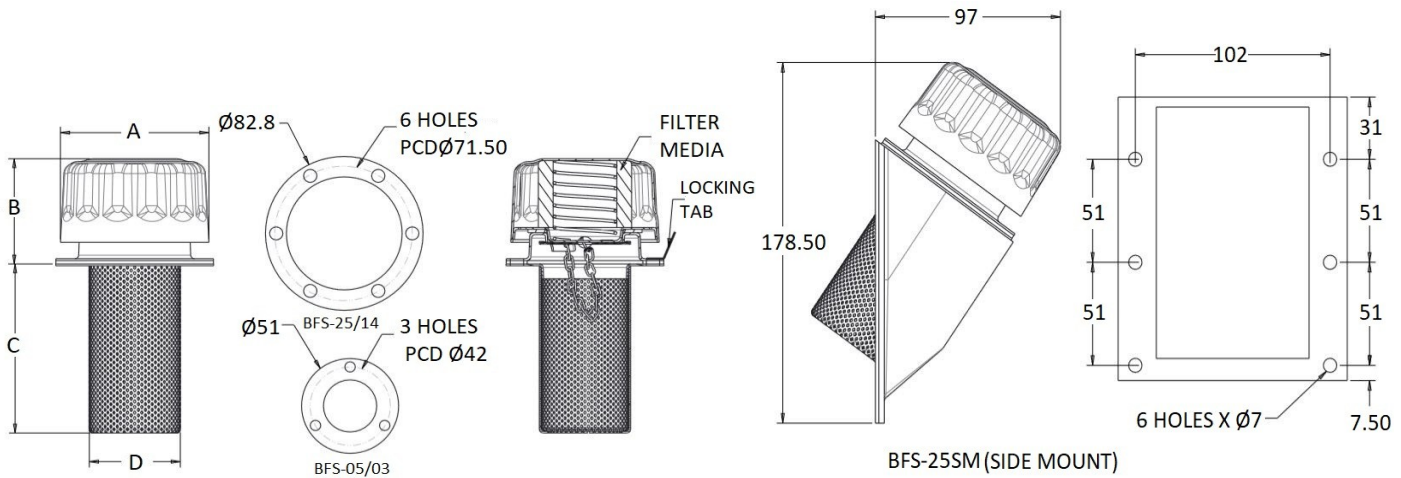


BREATHER-FLANGED STYLE

FEATURES

- Maximum Air flow 25 CFM (720 LPM)
- Chrome plated steel cap
- Compatible for petroleum and mineral based fluids
- Filtration standard 40 microns / 10 microns optional
- Options: side mount



MODEL	MICRON RATING	DISPLACEMENT		A	B	C	D	FEATURE OPTIONAL
		LPM	CFM					
BFS-05/03	40	150	05	46	49	65	28	Z-ZINC BLUE LACQUER COATED CAP
	10	90	03	46	49	65	28	
BFS-25/14	40	730	25	78	57	91	48	
	10	400	14	78	57	91	48	

ORDERING CODE: ASSEMBLY

BFS	-25	-40	-**
SERIES	CAPACITY CFM	FILTRATION μ MICRONS	FEATURE-1
BFS	03 (90LPM)	10	SM-SIDE MOUNT
	05 (150LPM)	40	
	14 (400 LPM)	10	
	25 (730 LPM)	40	

Note: All dimensions are in mm for reference